

SPARE PARTS LIST

ATAG Q-Serie

ATAG E-Serie

ATAG

Boiler	G.C No
Q 25S	41-310-08
Q 38S	41-310-09
Q 51S	41-310-10
Q 60S	41-310-11
Q 25C	47-310-10
Q 38C	47-310-11
Q 51C	47-310-12

CE PIN 0063BQ3021

E 22S	xx-xxx-xx
E 32S	xx-xxx-xx
E 22C	xx-xxx-xx
E 32C	xx-xxx-xx

CE PIN 0063BR3405

Legend spare parts list.

When at the description a number is mentioned, it is the dimension of delivery

For information about spare parts to LPG boilers, contact your supplier

Content

Q-Series 5

Parts casing Q-Series	6
Parts heat exchanger Q-Series	8
Parts rear wall Q-Series.....	10
Parts electrical components Q-Series	12
Parts cylinder (Combi boilers) Q-Series	14
Parts Expansion module.....	16

E-Series..... 19

Parts casing E-Series	20
Parts heat exchanger E-Series.....	22
Parts rear wall E-Series.....	24
Parts pipe work E-Series	26
Parts electrical components E-Series.....	28

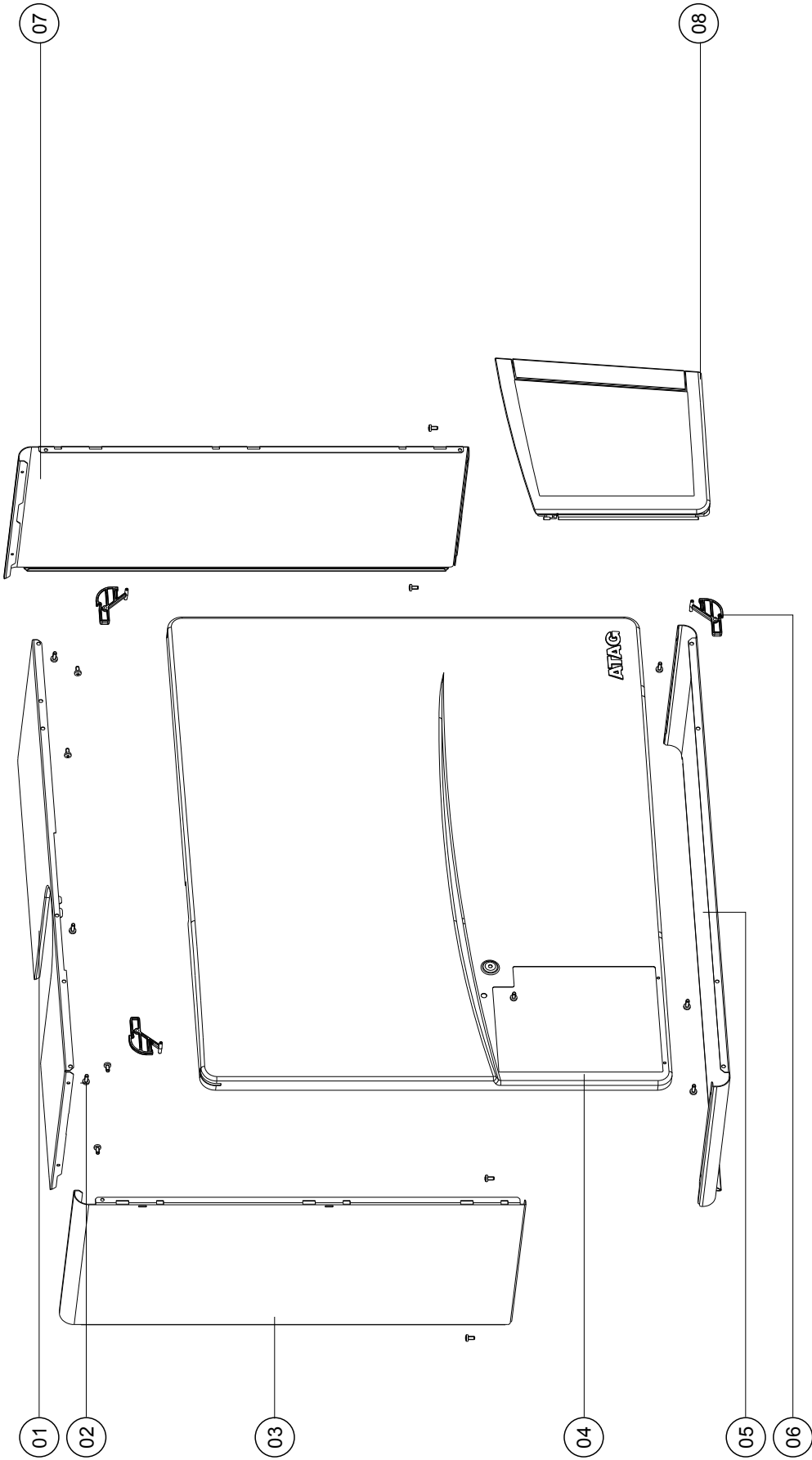
Q-Series

Q
ATAG



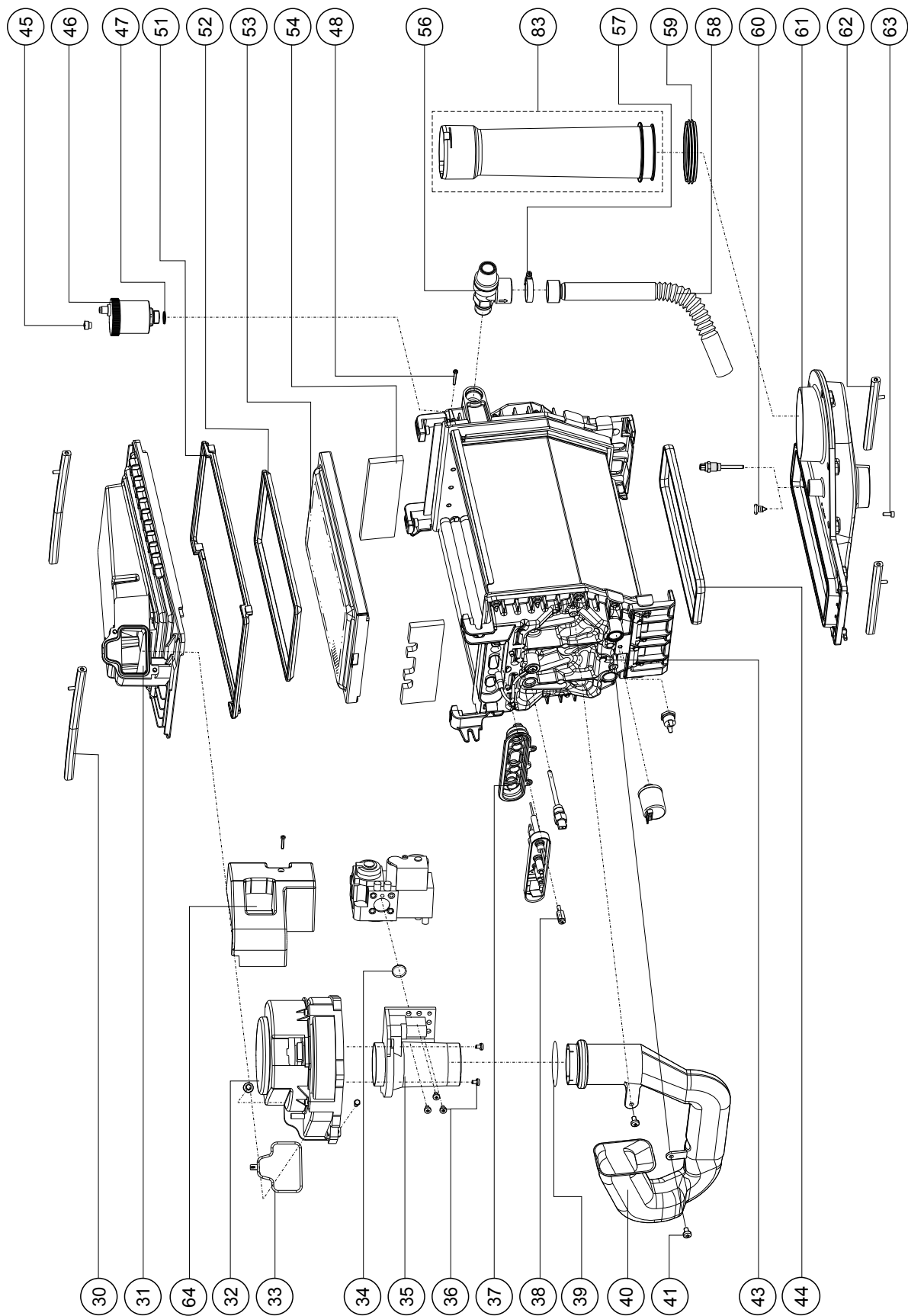
- Q25S
- Q25C
- Q38S
- Q38C
- Q51S
- Q51C
- Q60S

Parts casing Q-Series



Pos.	Omschrijving	Art.nr.	ATAG Q-Serie										
			Combi				Solo						
			Q25C	Q38C	Q51C	Q25S	Q38S	Q51S	Q60S				
1	TOP PART CASING Q15/25/38S					X	X						
	TOP PART CASING Q25/38C		X	X									
	TOP PART CASING Q51/60S										X	X	
	TOP PART CASING Q51C				X								
2	SCREW		X	X	X	X	X	X	X	X	X	X	X
3	SIDE PANEL L CASING Q	S4728000	X	X	X	X	X	X	X	X	X	X	X
4	FRONT CASING Q15/25/38S							X	X				
	FRONT CASING Q25/38C		X	X									
	FRONT CASING Q51/60S									X	X		
	FRONT CASING Q51C				X								
5	BOTTOM CASING Q15/25/38S						X	X					
	BOTTOM CASING Q25/38C		X	X									
	BOTTOM CASING Q51/60S										X	X	
	BOTTOM CASING Q51C				X								
6	PLASTIC CORNER BLACK CASING Q		X	X	X	X	X	X	X	X	X	X	X
7	SIDE PANEL R CASING Q		X	X	X	X	X	X	X	X	X	X	X
8	DOOR CASING Q CPL.	S4731400	X	X	X	X	X	X	X	X	X	X	X
	INSTRUCTION CARD Q-SERIES	8G50020x	X	X	X	X	X	X	X	X	X	X	X
	USER MANUAL Q-SERIES	8G52400x	X	X	X	X	X	X	X	X	X	X	X
	INSTALLATION MANUAL Q-SERIES	8G51400x	X	X	X	X	X	X	X	X	X	X	X
	BOLT M5X10 CK-PZ DIN 84/4.8 5X	S4345800	X	X	X	X	X	X	X	X	X	X	X

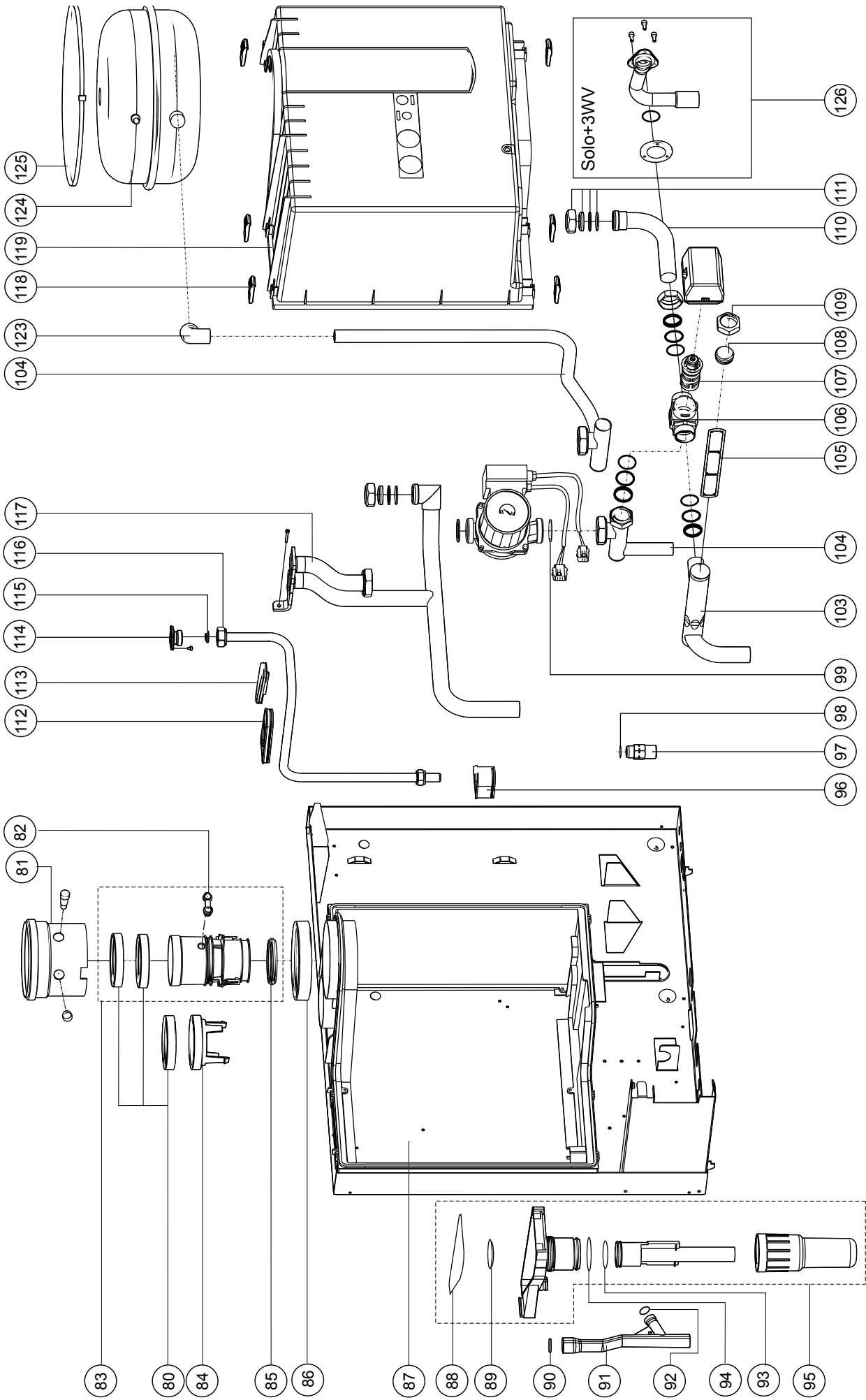
Parts heat exchanger Q-Series



Pos.	Omschrijving	Art.nr.	ATAG Q-Serie						
			Combi			Solo			
			Q25C	Q38C	Q51C	Q25S	Q38S	Q51S	Q60S
30	CLAMP BAR TOP PART HEX. LONG	S4310800	X	X	X	X	X	X	X
31	TOP PART HEAT EXCH. SET OSS1	S4735000				X			
	TOP PART HEAT EXCH. SET OSS2		X	X			X		
	TOP PART HEAT EXCH. SET OSS3/4				X			X	X
32	BOLT M 5X16 HR-SERIE 5x	S4313100	X	X	X	X	X	X	X
33	GASKET FAN/TOP PART HEX. SHR	S4305700	X	X	X	X	X	X	X
34	GASKET GAS VALVE -VENTURI	S4337610	X	X	X	X	X	X	X
	GASKET VENTURI-FAN	S4325610	X	X	X	X	X	X	X
35	VENTURI SHR24	S4318810							
	VENTURI SHR35	S4318920	X	X			X		
	VENTURI SHR60	S4319020			X			X	X
36	BOLT M5X12GR FASE ZSDIN7985 5X	S4418710	X	X	X	X	X	X	X
37	GASKET IONISATION/IGNITION OSS	S4709800	X	X	X	X	X	X	X
38	BOLT								
39	GASKET SILENCER-VENTURI SHR	S4309500	X	X	X	X	X	X	X
40	DAMPER E/SHR15/24	S4347510					X		
	DAMPER E/SHR32/35	S4325510	X	X				X	
	DAMPER SHR51/60	S4324720			X			X	X
41	SCREW TAPITITE M5X8 CK-PD 3X	S4167500	X	X	X	X	X	X	X
43	HEAT EXCHANGER OSS1	S4731000					X		
	HEAT EXCHANGER OSS2	S4731100	X	X				X	
	HEAT EXCHANGER OSS3	S4731300			X			X	
	HEAT EXCHANGER OSS4	S4731200							X
	BULLET HEAD SCREW DRIVER	S4363700	X	X	X	X	X	X	X
44	GASKET CONDENSATE TRAY OSS1	S4709500					X		
	GASKET CONDENSATE TRAY OSS2	S4714900	X	X				X	
	GASKET CONDENSATE TRAY OSS3	S4724500			X			X	X

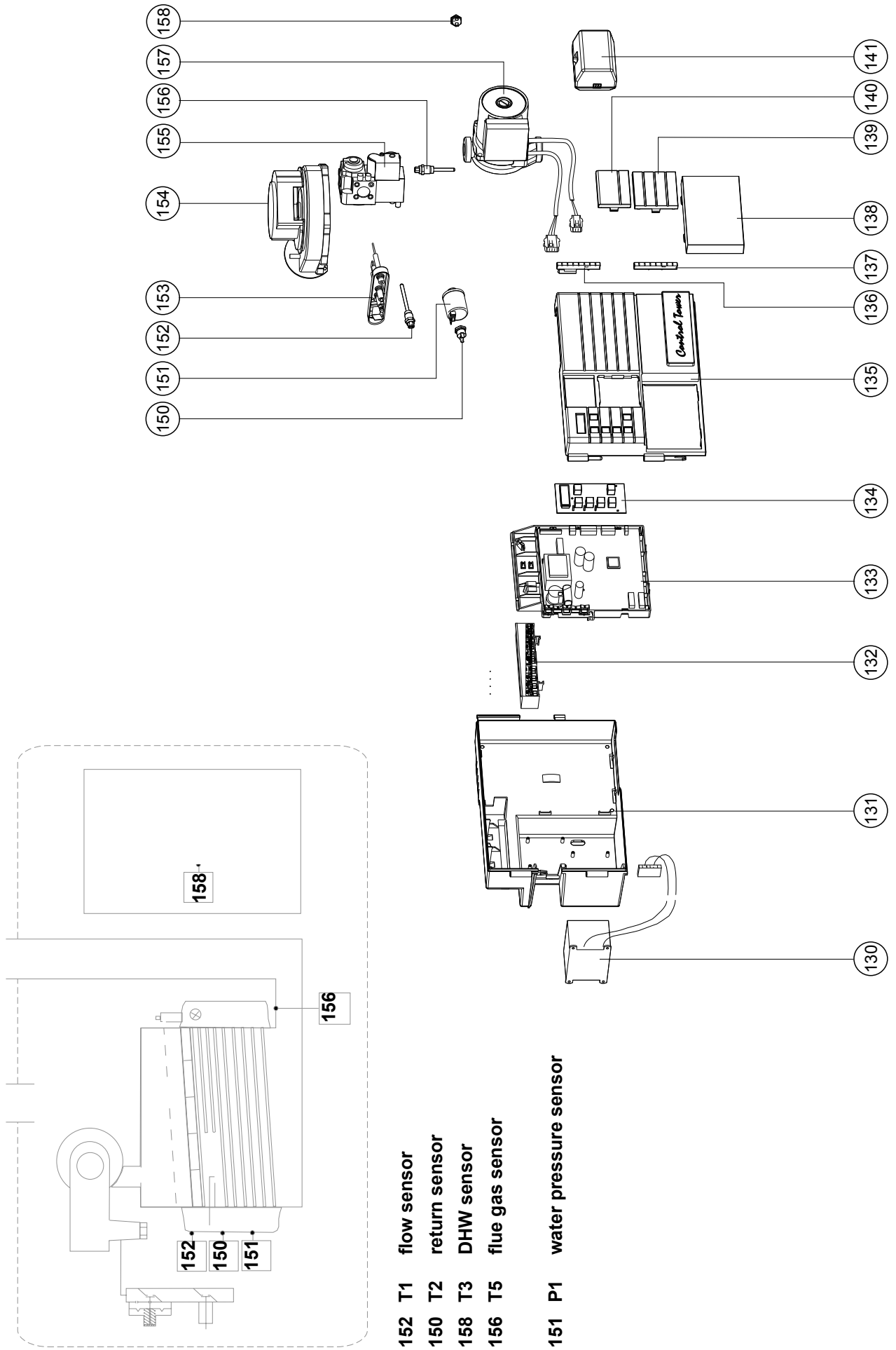
Pos.	Omschrijving	Art.nr.	ATAG Q-Serie						
			Combi			Solo			
			Q25C	Q38C	Q51C	Q25S	Q38S	Q51S	Q60S
45	CAP DE-AERATOR SHR 3x	S4380600	X	X	X	X	X	X	X
46	DE-AERATOR CHROME	S4419110	X	X	X	X	X	X	X
47	O-RING ø13,94X2,62 DE-AER. SHR 2x	S4342300	X	X	X	X	X	X	X
48	BOLT M 3X30 VERZ. DIN84/4.8 3X	S4345900	X	X	X	X	X	X	X
51	GASKET H.E./TOP PART OSS1	S4709100						X	
	GASKET H.E./TOP PART OSS2	S4718400	X	X				X	
	GASKET H.E./TOP PART OSS3/4	S4719900			X				X
52	GASKET BURNERTOP PART OSS1	S4717200					X		
	GASKET BURNERTOP PART OSS2	S4717300	X	X				X	
	GASKET BURNERTOP PART OSS3/4	S4717400			X			X	X
53	BURNER CASSETTE SET OSS1	S4714600					X		
	BURNER CASSETTE SET OSS2	S4714700	X	X				X	
	BURNER CASSETTE SET OSS3/4	S4714800			X			X	X
54	SET INSULATION PIPE PLATE L-R	S4730900	X	X	X	X	X	X	X
55	SUPP. CLAMP BAR TOP PART H.EX. SHR	S4308500	X	X	X	X	X	X	X
56	SAFETY VALVE 3 BAR PF/E/SHR	S4344630	X	X	X	X	X	X	X
57	HOSE CLAMP 20-32 MM SS	S4395600	X	X	X	X	X	X	X
58	DISCHARGEPIPE SAF VALVESET SHR	S4467300	X	X	X	X	X	X	X
59	LIP-RING ø63 AMGAS	S4307900						X	
	LIP-RING ø80 AMGAS	S4304200	X	X	X	X	X	X	X
60	PLUG FLUE GAS SENSOR SHR	S4339200	X	X	X	X	X	X	X
61	CONDENSATE TRAY OSS1	S4730600						X	
	CONDENSATE TRAY OSS2	S4730700	X	X				X	
	CONDENSATE TRAY OSS3/4	S4730800			X			X	X
62	CLAMP BAR COND.T. PF/E/SHR	S4310700	X	X	X	X	X	X	X
63	BOLT M 5X12 IMBUS VERZ. 3X	S4440000	X	X	X	X	X	X	X
64	COVER GAS VALVE	S4558000	X	X	X	X	X	X	X

Parts rear wall Q-Series



Pos.	Omschrijving	Art.nr.	ATAG Q-Serie					Art.nr.	ATAG Q-Serie						
			Combi		Solo				Combi		Solo				
			Q25C	Q38C	Q51C	Q25S	Q38S		Q51S	Q60S	Q25C	Q38C	Q51C	Q25S	Q38S
80	GASKET AIRINTAKE ø80 SHR	S4323510	X	X	X	X	X	X	X	X	X	X	X	X	X
81	CONCENTRIC FLUE ADAPTER 80/125MM	AA1CA05U	X	X	X	X	X	X	X	X	X	X	X	X	X
82	FEED THROUGH-PLUG FLUEGAS EPDM	S4521600	X	X	X	X	X	X	X	X	X	X	X	X	X
83	FLUEGASSYSTEM PP SET 15-24KW/MR	S4499400					X								
	FLUEGASSYSTEM PP SET 35KW ZR	S4500500	X	X			X								
	FLUEGASSYSTEM PP SET 51-60KW/ZR	S4500700			X							X	X	X	X
84	COVER AIR SUPPLY ø80 SHR	S4323310	X	X	X	X	X	X	X	X	X	X	X	X	X
85	GASKET FLUE GAS PIPE PP SHR	S4472600	X	X	X	X	X	X	X	X	X	X	X	X	X
86	DICHTUNG AIR SUPPLY ø120	S4323710	X	X	X	X	X	X	X	X	X	X	X	X	X
87	AIR BOX BACK SHR15/24/35	S4316100	X	X			X	X	X	X	X	X	X	X	X
	AIRBOX BACKSIDE SHR51/60	S4316210			X							X	X	X	X
88	GASKET SIPHONTRAY-AIRB.SHR	S4339110	X	X	X	X	X	X	X	X	X	X	X	X	X
89	GASKET SYPHON -AIRB. SHR	S4316300	X	X	X	X	X	X	X	X	X	X	X	X	X
90	O-RING ø19,50X1,80 SYPHONTRAY	S4312100	X	X	X	X	X	X	X	X	X	X	X	X	X
91	CONDENSATE DRAIN PIPE SHR	S4316500	X	X	X	X	X	X	X	X	X	X	X	X	X
92	O-RING ø12,42X1,78	S4342400	X	X			X								
95	SYPHON PP SHR CPL.	S4451610	X	X	X	X	X	X	X	X	X	X	X	X	X
96	FEED THROUGH GAS LINE AIRBOX	S4307100	X	X	X	X	X	X	X	X	X	X	X	X	X
97	PIPE FITTING 1/2"+O-RING SHR15-35	S4493300	X	X			X	X	X	X	X	X	X	X	X
	PIPE FITTING 3/4" + O-RING SHR51/60	S4498800			X							X	X	X	X
98	O-RING ø13,94X2,62 YELLOW SILI SHR	S4328710	X	X	X	X	X	X	X	X	X	X	X	X	X
99	GASKET PUMP 2X	S1003810	X	X	X	X	X	X	X	X	X	X	X	X	X
103	PIPE RETURN-PUMP FILT SHR15-35	S4317800					X					X	X	X	X
	PIPE RETURN-3WV FILT SHR15-35	S4317700	X	X			X								
	PIPE RET-PUMP FILT SHR51/60	S4326700												X	X
	PIPE RET-3WV FILTER SHR51/60	S4326600					X								
104	PIPE 3WV-PUMP EXT. EXP.VESSEL SHR	S4318020	X	X	X	X	X	X	X	X	X	X	X	X	X
105	FILTER RETURN PIPE SHR	S4317500	X	X	X	X	X	X	X	X	X	X	X	X	X
106	THREE WAY V. HOUSING VC O-RING	S4308200	X	X	X	X	X	X	X	X	X	X	X	X	X
107	CARTRIDGE 3WV	S4268400	X	X	X	X	X	X	X	X	X	X	X	X	X
108	FILTER CAP PF/E/SHRER	S4317610	X	X	X	X	X	X	X	X	X	X	X	X	X
	O-RING ø25,07 X 2,62 3WV	S4158300	X	X	X	X	X	X	X	X	X	X	X	X	X
109	NUT M35 ø30	S4259500	X	X	X	X	X	X	X	X	X	X	X	X	X
110	PIPE CYLINDER-3WV SHR	S4317900	X	X	X	X	X	X	X	X	X	X	X	X	X
111	FITTINGS SET CYL. COMBI	S4272100	X	X	X	X	X	X	X	X	X	X	X	X	X
	NUT M35 ø30	S4259500	X	X	X	X	X	X	X	X	X	X	X	X	X
	O-RING ø26,07 X 1,78 CYL	S4259800	X	X	X	X	X	X	X	X	X	X	X	X	X
112	AIRBOX GASKET FLOW/ RETURN SHR	S4310610	X	X	X	X	X	X	X	X	X	X	X	X	X
113	SERVICE CAP AIRB. -H.T SHR	S4317200	X	X	X	X	X	X	X	X	X	X	X	X	X
114	FITTING GASVALVE 3/4"SHR	S4340900	X	X	X	X	X	X	X	X	X	X	X	X	X
	O-RING ø21,89X2,62 GASLINE	S4334500	X	X	X	X	X	X	X	X	X	X	X	X	X
115	GASKET FITTING 3/4" GASV.SHR	S4340830	X	X	X	X	X	X	X	X	X	X	X	X	X
116	GASLINE SHR15/24	S4340410					X								
	GASLINE SHR35/51/60	S4340510	X	X	X	X	X	X	X	X	X	X	X	X	X
117	PIPE FLOW SHR15/24	S4318510					X								
	PIPE FLOW SHR35	S4318610										X			
	PIPE CYLINDER - CH SHR35	S4318300	X	X			X								
	PIPE FLOW SHR51/60	S4318700										X	X	X	X
	PIPE CYLINDER - CH SHR51/60	S4318400					X								
	SCREW 5X	S0288800	X	X	X	X	X	X	X	X	X	X	X	X	X
	O-RING ø29,74X3,53 FLOW/RET.2X	S4312300	X	X	X	X	X	X	X	X	X	X	X	X	X
	T-PIECE 28X1/2" BIX28	S4227400									X	X	X	X	X
	T-PIECE 35X1/2" BIX35	S4351000											X	X	X
	T-PIECE 22X1/2" BIX22	S4353700	X	X	X	X	X	X	X	X	X	X	X	X	X
	FILL AND DRAIN VALVE	S1002200	X	X	X	X	X	X	X	X	X	X	X	X	X
118	SNAP LOCK AIR BOX GREY		X	X	X	X	X	X	X	X	X	X	X	X	X
119	AIRBOX SHR 15-24-35	S4315800	X	X	X	X	X	X	X	X	X	X	X	X	X
	AIRBOX SHR 51-60	S4315900					X							X	X

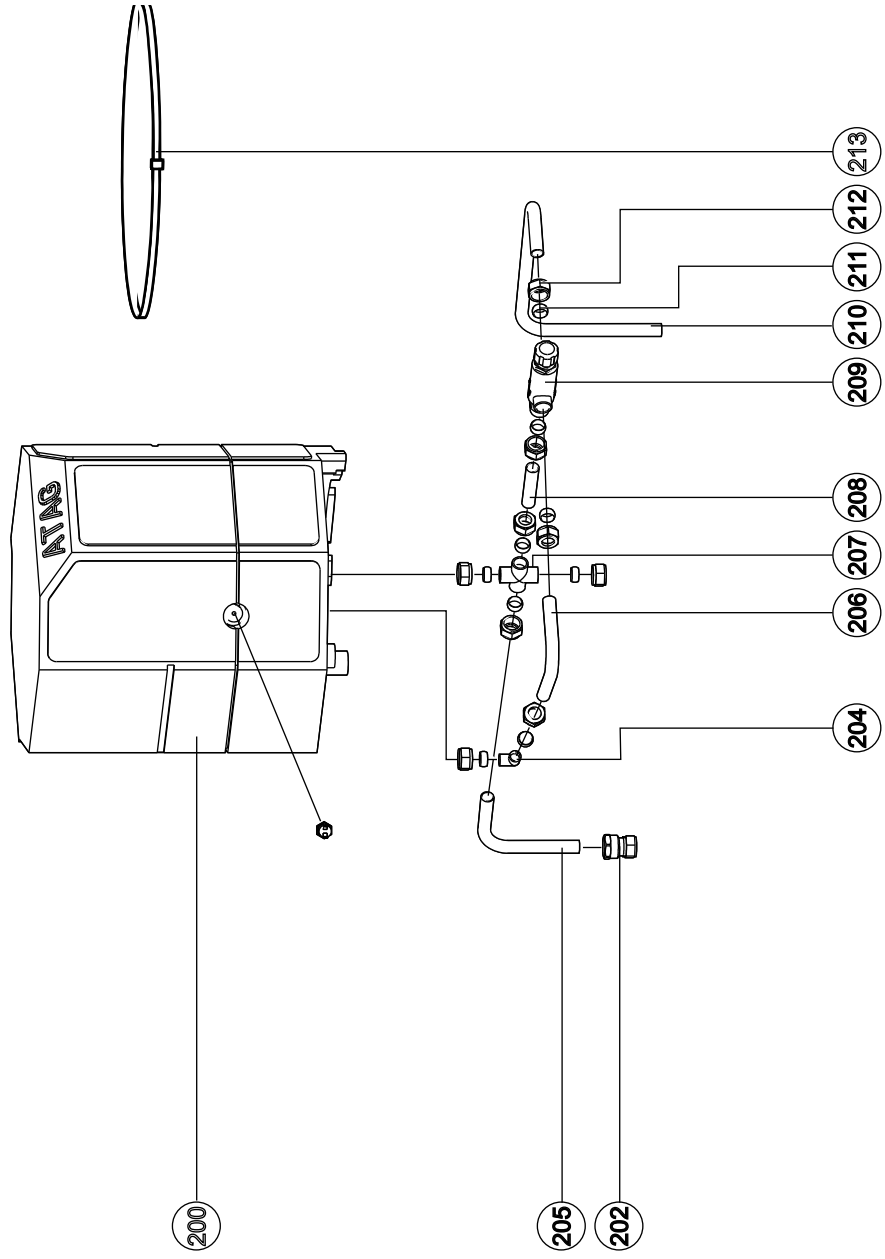
Parts electrical components Q-Series



Pos.	Omschrijving	Art.nr.	ATAG Q-Serie							
			Combi			Solo				
			Q25C	Q38C	Q51C	Q25S	Q38S	Q51S	Q60S	
130	TRAFU 72 VA + SCREWS	S4324900	X	X	X	X	X	X	X	X
	SCREW 3,5X 9,5 VERZ. D7983 5X	S4370300	X	X	X	X	X	X	X	X
131	CONTROL TOWER HINTENTEIL SHR	S4322700	X	X	X	X	X	X	X	X
132	CABLE TREE SHR	S4398510	X	X	X	X	X	X	X	X
	STICKER CONNECTION TERMINAL	8G35220X	X	X	X	X	X	X	X	X
	SUPPLY CABLE+PLUG L=1900	S4320100	X	X	X	X	X	X	X	X
	CONNECTOR 2-POLE PURPLE	S4320300	X	X	X	X	X	X	X	X
	CONNECTOR 2-POLE BLACK	S4320500	X	X	X	X	X	X	X	X
	CONNECT. 3-POLE GREEN EXT.PUMP	S4351300	X	X	X	X	X	X	X	X
	CONNECTOR 3-POLE GREY	S4380900								
	CONNECTOR 3-POLE TRANSP.	S4380800								
	CONNECTOR 3-POLE YELLOW	S4379500	X	X	X	X	X	X	X	X
	CONNECTOR 3-POLE ORANGE	S4379600	X	X	X	X	X	X	X	X
	CONNECTOR 4-POLE BROWN	S4320600	X	X	X	X	X	X	X	X
	CONNECTOR 6-POLE BLUE	S4350600	X	X	X	X	X	X	X	X
	CABLE TREE 3VV SHR	S4319900	X	X	X					
133	CONTROL UNIT MCBA 5415 Q-SERIE	S4711200	X	X	X	X	X	X	X	X
	FUSE GLASS 100 MA 250 3X	S4352800	X	X	X	X	X	X	X	X
	FUSE GLASS 2,0 AF 250 3X	S4353000	X	X	X	X	X	X	X	X
	FUSE GLASS 3,0 AT 250 3X	S4352900	X	X	X	X	X	X	X	X
134	DISPLAY MCBA 1415 ATAGQ	S4713600	X	X	X	X	X	X	X	X
	FLAT CABLE DISPLAY L=240 SHR	S4320020	X	X	X	X	X	X	X	X
135	CONTROL TOWER FRONT OPL. SHR	S4322600	X	X	X	X	X	X	X	X
136	LOCK CONTR.T-AIRBOX GREY		X	X	X	X	X	X	X	X
137	LOCK CONTR.TOWER GREY		X	X	X	X	X	X	X	X
138	COVER CT BOTTOM SHR	S4323000	X	X	X	X	X	X	X	X
139	COVER CT MIDDLE SHR	S4322900	X	X	X	X	X	X	X	X
140	COVER CT TOP CLOSED SHR	S4322800	X	X	X	X	X	X	X	X
141	3WAY VALVE ACTUATOR VC2010	S4334910	X							
	3WAY VALVE ACTUATOR VC6940	S4335010	X	X	X					

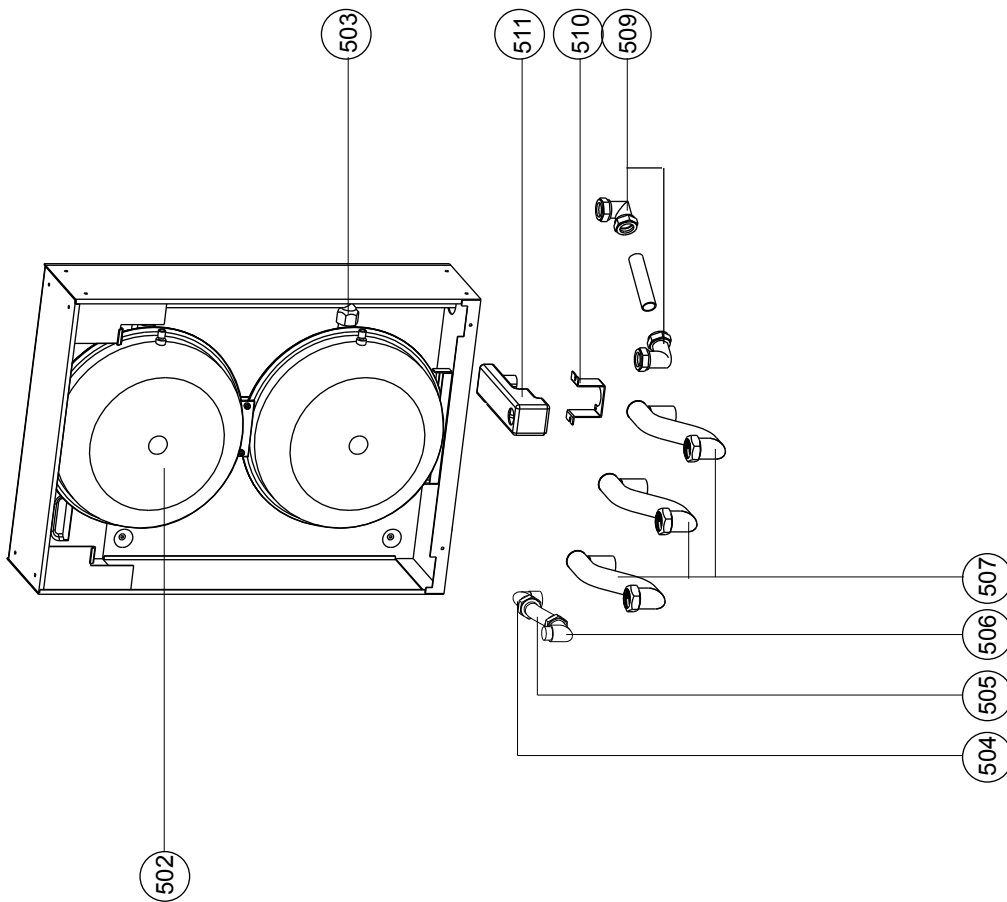
Pos.	Omschrijving	Art.nr.	ATAG Q-Serie							
			Combi			Solo				
			Q25C	Q38C	Q51C	Q25S	Q38S	Q51S	Q60S	
150	NTC SHR/DHW/SGC T2/T3/T8/T9	S4309700	X	X	X	X	X	X	X	X
151	WATERPRESS SENS +ADAPTERCABLE	S4466300	X	X	X	X	X	X	X	X
152	NTC FLOW T1 /E-PF NTC T3	S4307420	X	X	X	X	X	X	X	X
153	IGNITION ELECTRODE+GASKET OSS	S4710100	X	X	X	X	X	X	X	X
	IGNITION CABLE SHR	S4323800	X	X	X	X	X	X	X	X
	IONISATION WIRE SHR	S4323900	X	X	X	X	X	X	X	X
154	FAN MOTOR 24 DC 15/35	S4442720	X	X	X	X	X	X	X	X
	FAN MOTOR 230V AC+ SHR	S4310520				X				X
	SUPPLY CABLE FAN 230V SHR51/60	S4319810				X				X
155	GAS VALVE PF/E/SHR	S4304700	X	X	X	X	X	X	X	X
156	FLUE GAS T5 SHR	S4339510	X	X	X	X	X	X	X	X
	ADAPT.CABLE FLUESENS. SHR51/60	S4352000				X				X
	FLUE GAS SENSOR INCL. CABLE SHR	S4368200	X	X	X	X	X	X	X	X
157	PUMP UPER PWM 20-60 S-HR	S4527000	X							X
	PUMP UPER PWM 20-70 S-HR	S4528500				X				X
158	NTC SHR/DHW/SGC T2/T3/T8/T9	S4309700	X	X	X	X	X	X	X	X

Parts cylinder (Combi boilers) Q-Series



Pos.	Omschrijving	Art.nr.	ATAG Q-Serie							
			Combi			Solo				
			Q25C	Q38C	Q51C	Q25S	Q38S	Q51S	Q60S	
200	Cylinder 14 Lire 35kW	S4307010	X							
	Cylinder 13 Lire 51kW	S4310410		X	X					
202	DOSING VALVE 6L BLACK	S4169500	X							
	DOSING VALVE 8L WHITE	S4262700		X						
	DOSING VALVE 12.5L PINK	S4264600			X					
204	KNEE FITTING 15MM	S4178600	X	X	X					
205	PIPE Ø15 COLD SHRT	S4312600	X	X	X					
206	PIPE Ø15 HOT-MIXING VALVE	S4312800	X	X	X					
207	CROSS COMPR.FITTING 15MM	S4324400	X	X	X					
208	PIPE Ø15 COLD MIXING VALVE SHR	S4312700	X	X	X					
209	THERM. MIX VALVE ø15 COMPR.	S4312500	X	X	X					
210	PIPE Ø15 MIX SHR	S4312900	X	X	X					
211	COMPRESSION RING 15MM BRASS	S4237500	X	X	X					
212	NUT 1/2" G BRASS COMPR. 15	S1035700	X	X	X					
213	STRAP CYLINDER/EXP.VESSEL	S4307300	X	X	X					
	FITTING SET CYLINDER COMBI	S4272100	X	X	X					

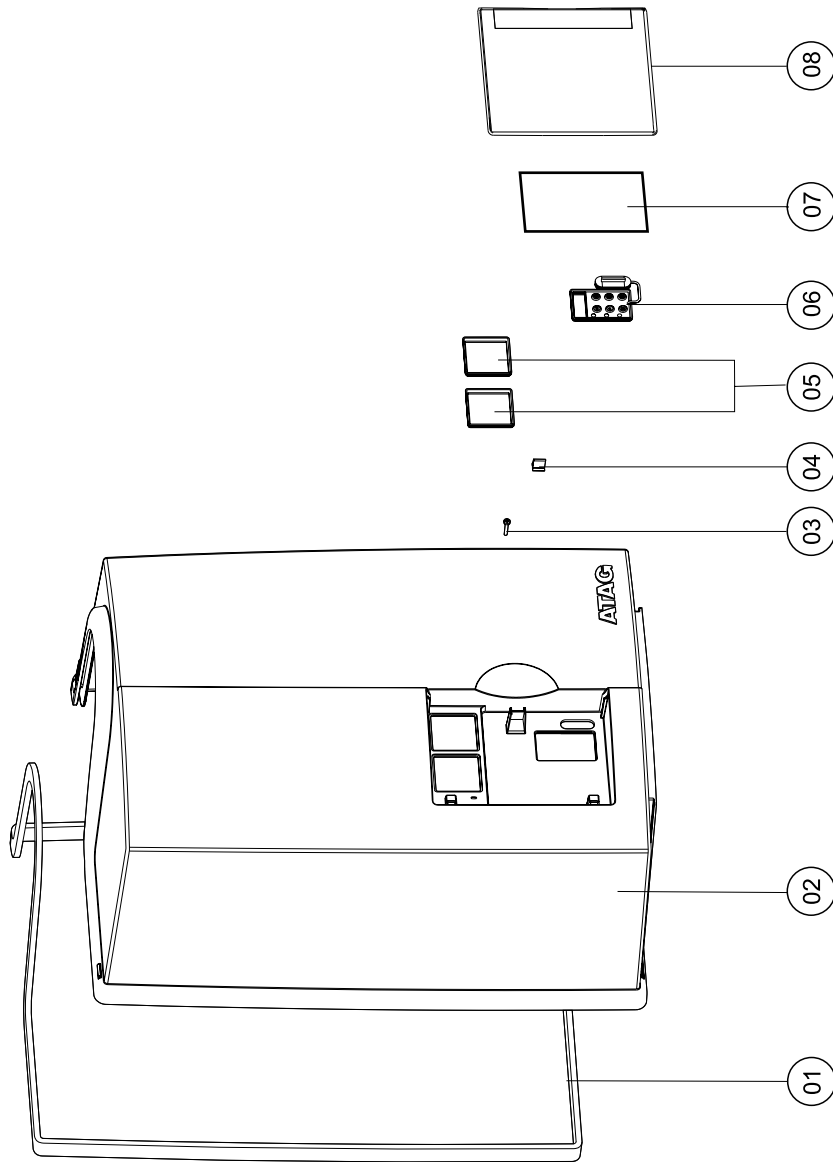
Parts expansion vessel module



Omschrijving	Art.nr.	ATAG Q-Serie							
		Combi				Solo			
		Q25C	Q38C	Q51C	Q25S	Q38S	Q51S	Q60S	
1 TOP PART CASING Q15/25/38S		X			X			X	
TOP PART CASING Q25/38C		X	X						
TOP PART CASING Q51/60S							X	X	
TOP PART CASING Q51C				X					
2 SCREW		X	X	X	X	X	X	X	
3 SIDE PANEL L CASING Q	S4728000	X	X	X	X	X	X	X	
4 FRONT CASING Q15/25/38S					X			X	
FRONT CASING Q25/38C		X	X						

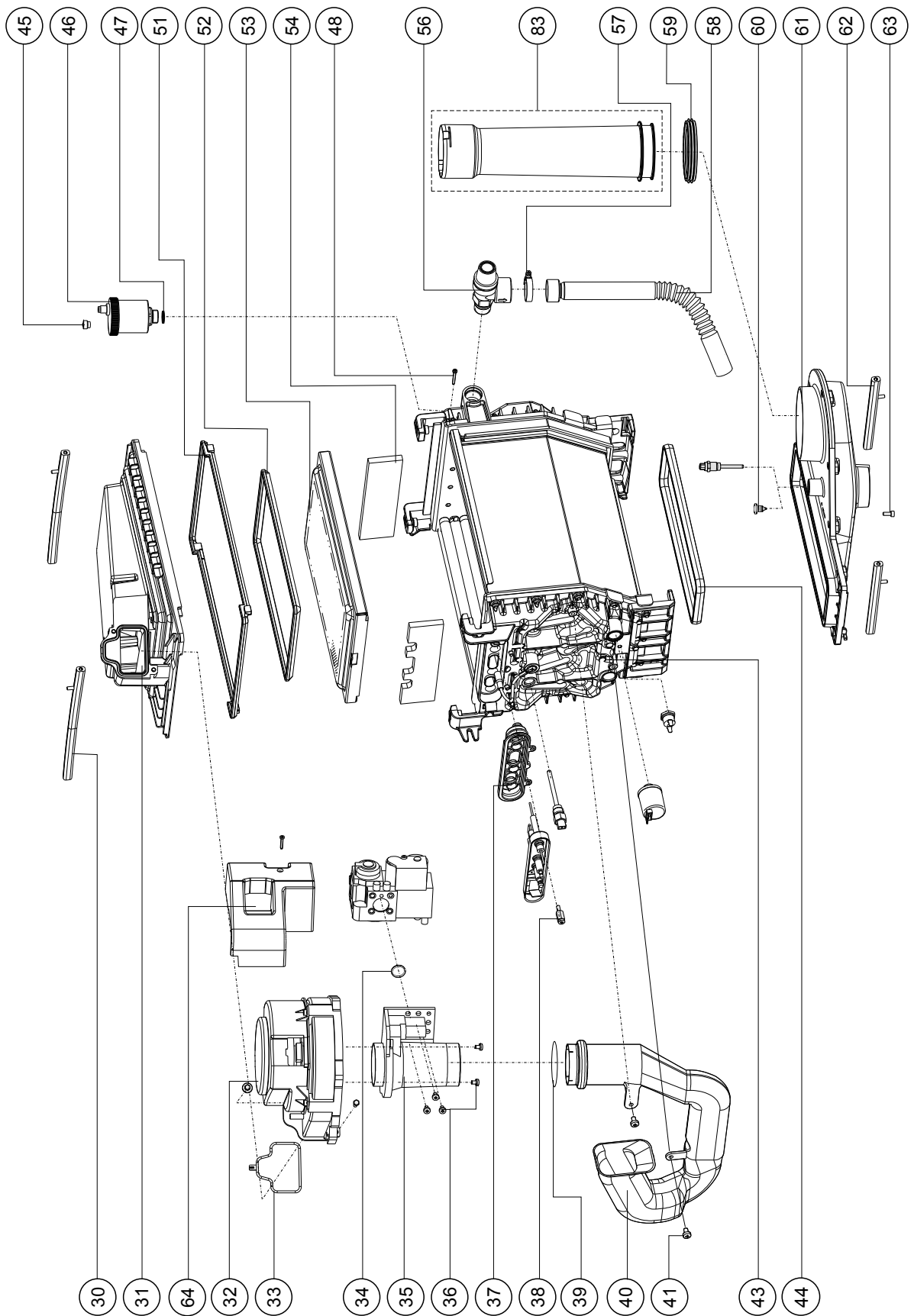


- E22C
- E32C
- E22S
- E32S



Pos.	Description	Art.nr.	ATAG E-Series					
			Combi			Solo		
			E22C	E32C	E22S	E32S	E32S	E32S
1	GASKET CASING PF/ESHR	S4479500	X	X	X	X	X	
2	CASING DF/ESHR SET	S4479300	X	X	X	X	X	
3	SCREW CASING M5X20	S4447200	X	X	X	X	X	
4	SPRING DOOR CASING PF/ESHR	S4479400	X	X	X	X	X	
5	BLANK CASING PF/ESHR	S4416902	2X	2X	2X	2X	2X	
6	GASKET CONTROLS ESHR	S4479100	X	X	X	X	X	
7	INSTRUCTION STICKER E-SERIES USER MANUAL E-SERIES	8G44270x 8G52400x	X	X	X	X	X	
	INSTALLATION MANUAL E-SERIES	8G51400x	X	X	X	X	X	
8	DOOR CASING E-SERIES		X	X	X	X	X	

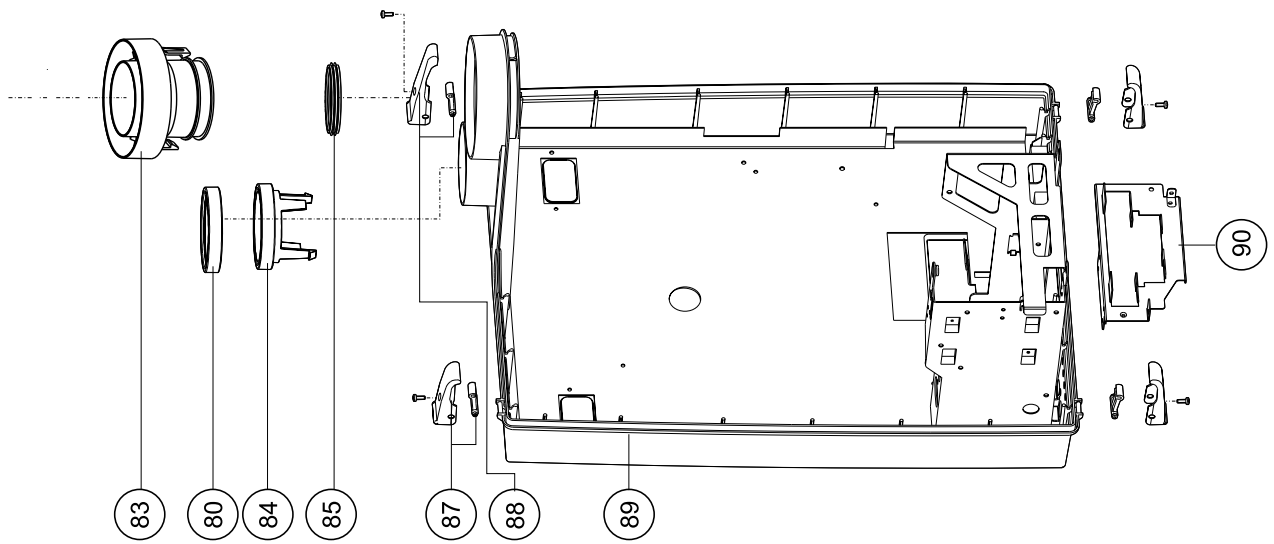
Parts heat exchanger E-Series



Pos.	Description	Art.nr.	ATAG E-Series				
			Combi		Solo		
			E22C	E32C	E22S	E32S	E32S
30	CLAMP BAR TOP PART H.EX. LONG	S4310800	X	X	X	X	X
31	TOP PART HEAT EXCH. SET OSS1	S4735000	X				X
	TOP PART HEAT EXCH. SET OSS2			X			X
32	BOLT M5X16 HR-SERIE 5x	S4313100	X	X	X	X	X
33	GASKET FAN/TOP PART H.EX. SHR	S4305700	X	X	X	X	X
34	GASKET GAS VALVE -VENTURI	S4337610	X	X	X	X	X
	GASKET VENTURI-FAN	S4325610	X	X	X	X	X
35	VENTURI SHR24	S4318810	X				X
	VENTURI SHR35	S4318920		X			X
36	BOLT M5X12GR FASE ZSDIN7985 5X	S4418710	X	X	X	X	X
37	GASKET IONISATION/IGNITION OSS	S4709800	X	X	X	X	X
38	BOLT						
39	GASKET SILENCER-VENTURI SHR	S4309500	X	X	X	X	X
40	DAMPER E/PF/SHR15/24	S4347510	X				X
	DAMPER E/SHR23/35	S4325510		X			X
41	SCREW TAPTITE M5X8 CK-PD 3X	S4167500	X	X	X	X	X
43	HEAT EXCHANGER OSS1	S4731000	X				X
	HEAT EXCHANGER OSS2	S4731100		X			X
	BULLET HEAD SCREW DRIVER	S4363700	X	X	X	X	X
44	GASKET CONDENSATE TRAY OSS1	S4709500	X				X
	GASKET CONDENSATE TRAY OSS2	S4714900		X			X
45	CAP DE-AERATOR SHR 3x	S4380600	X	X	X	X	X
46	DE-AERATOR CHROME	S4419110	X	X	X	X	X
47	O-RING ø13,94X2,62 DE-AER.SHR 2x	S4342300	X	X	X	X	X

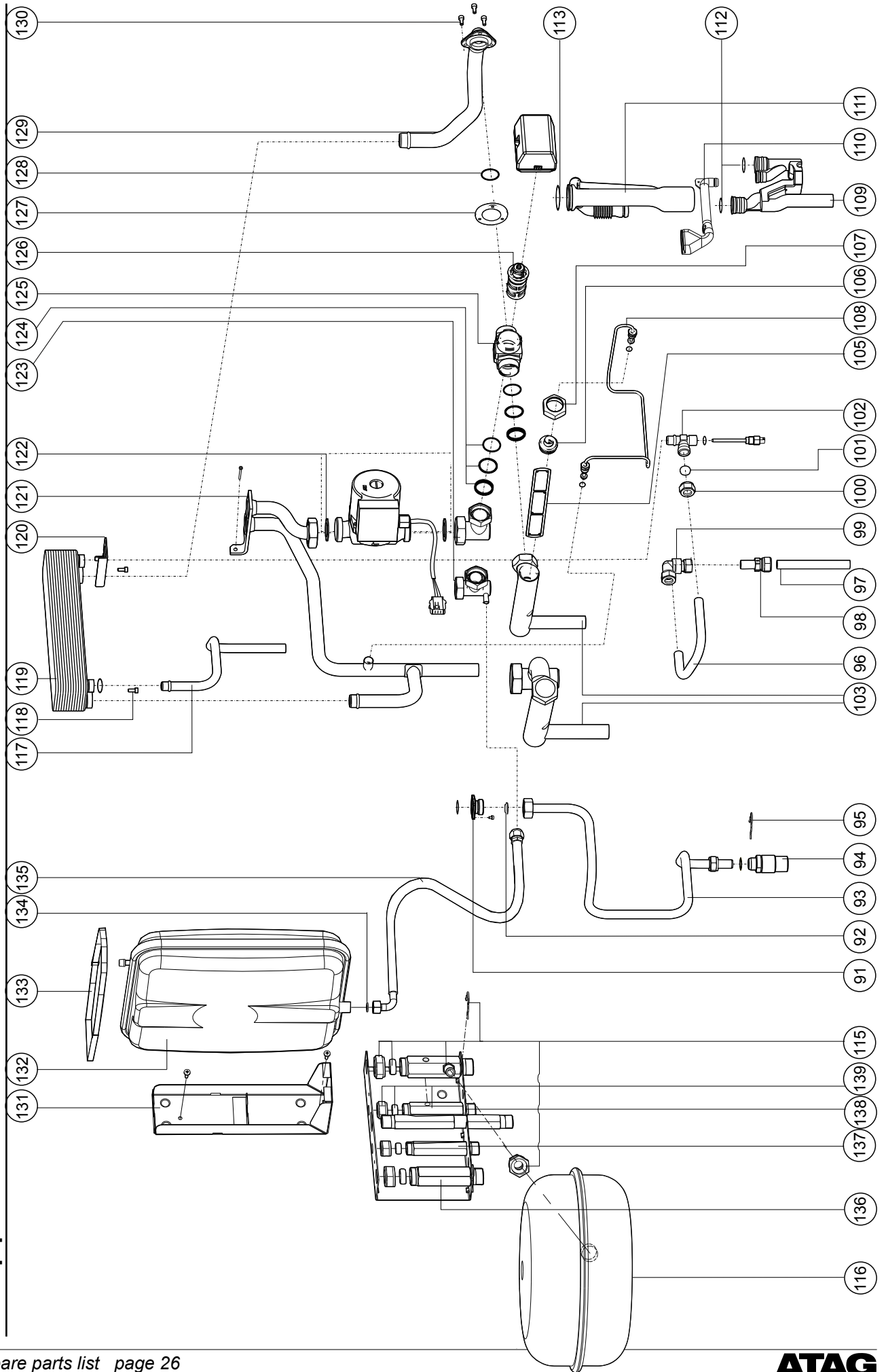
Pos.	Description	Art.nr.	ATAG E-Series				
			Combi		Solo		
			E22C	E32C	E22S	E32S	E32S
48	BOLT M3X30 VERZ.DIN84/4.8 3X	S4345900	X	X	X	X	X
51	GASKET H.E./TOP PART OSS1	S4709100	X				X
	GASKET H.E./TOP PART OSS2	S4718400		X			X
52	GASKET BURNER/TOP PART OSS1	S4717200	X				X
	GASKET BURNER/TOP PART OSS2	S4717300		X			X
53	BURNER CASSETTE SET OSS1	S4714600	X				X
	BURNER CASSETTE SET OSS2	S4714700		X			X
54	SET INSULATION PIPE PLATE L+R	S4730900	X	X	X	X	X
55	SUPP. CLAMP BAR TOP PART HEX. SHR	S4308500	X	X	X	X	X
56	SAFETY VALVE 3 BAR PF/E/SHR	S4344630	X	X	X	X	X
57	HOSE CLAMP 20-32 MM SS	S4395600	X	X	X	X	X
58	PIPE SAFETY VALVE PF/ESH	S4421400	X	X	X	X	X
59	LIP-RING ø63 AMGAS	S4307900	X				X
	LIP-RING ø80 AMGAS	S4304200		X			X
60	PLUG FLUE GAS SENSOR SHR	S4339200	X	X	X	X	X
61	CONDENSATE TRAY OSS1	S4730600	X				X
	CONDENSATE TRAY OSS2	S4730700		X			X
62	CLAMP BAR COND.T. PF/E/SHR	S4310700	X	X	X	X	X
63	BOLT M5X12 IMBUS VERZ. 3X	S4440000	X	X	X	X	X
64	COVER GAS VALVE	S4558000	X	X	X	X	X

Parts rear wall E-Series



Pos.	Description	Art.nr.	ATAG E-Series					
			Combi			Solo		
			E22C	E32C	E22S	E32S	E32S	E32S
80	GASKET AIRINTAKE ø80 SHR	S4323510	X	X	X	X	X	
83	FLUE GAS ADAPTER 60/100MM	AA0001AU	X	x	X	X	x	
84	COVER AIR SUPPLY ø80 SHR	S4323310	X	X	X	X	X	
85	GASKET FLUE GAS PIPE PP SHR	S4472600	X	X	X	X	X	
87	QUICK RELEASE SMALL PF/ESHR	S4415220	X	X	X	X	X	
88	QUICK RELEASE LARGE PF/ESHR	S4415120	X	X	X	X	X	
89	BACK PART CASING PF/ESHR	S4337200	X	X	X	X	X	
	BASE PLATE CASING PF/ESHR	S4337100	X	X	X	X	X	
	MOUNTINGBR. PF/E-SHR15/24/35	S4341610	X	X	X	X	X	
90	BRACKET CONNECTION TERMINAL	S4471101	X	X	X	X	X	

Parts pipes Premier E-SHR

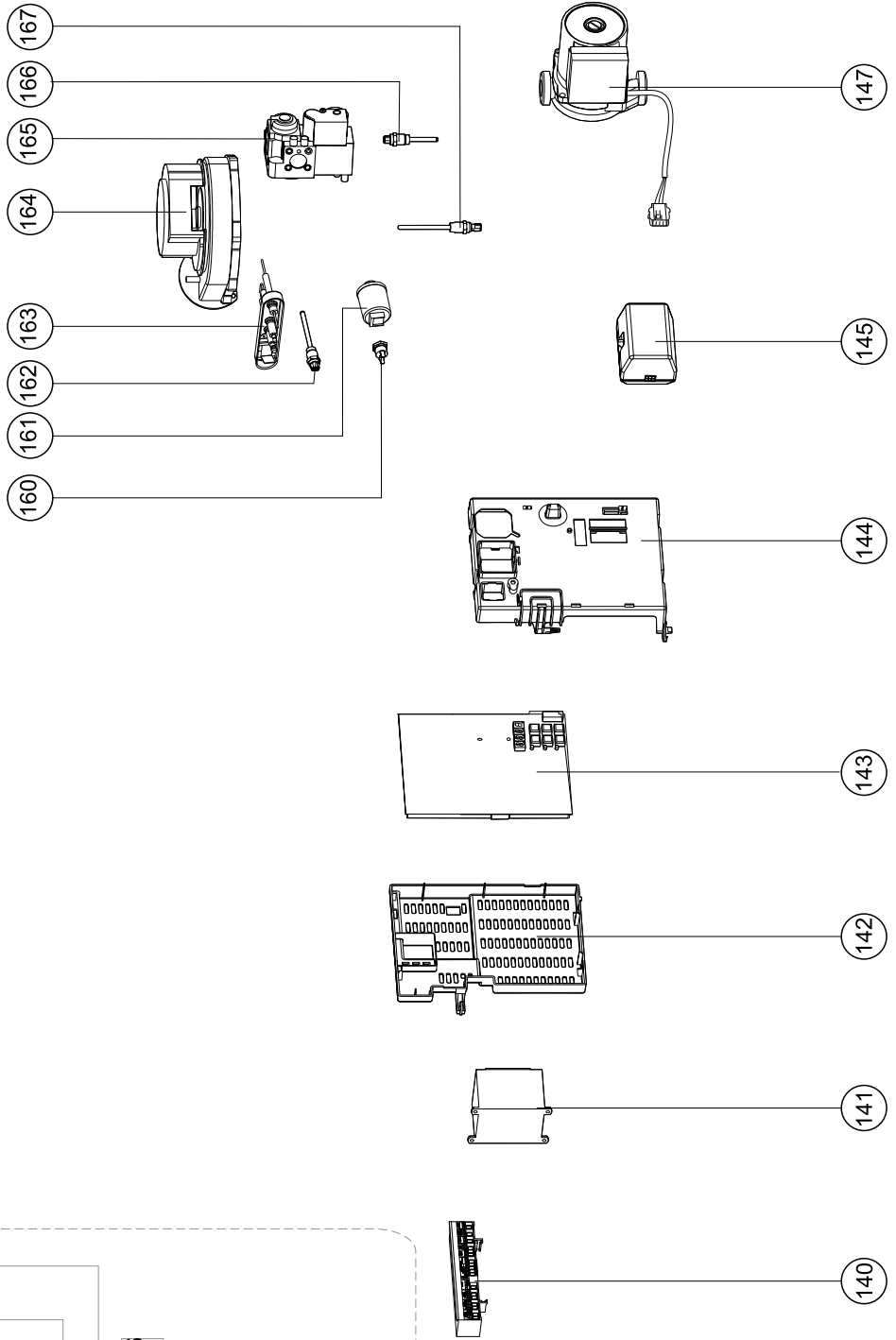
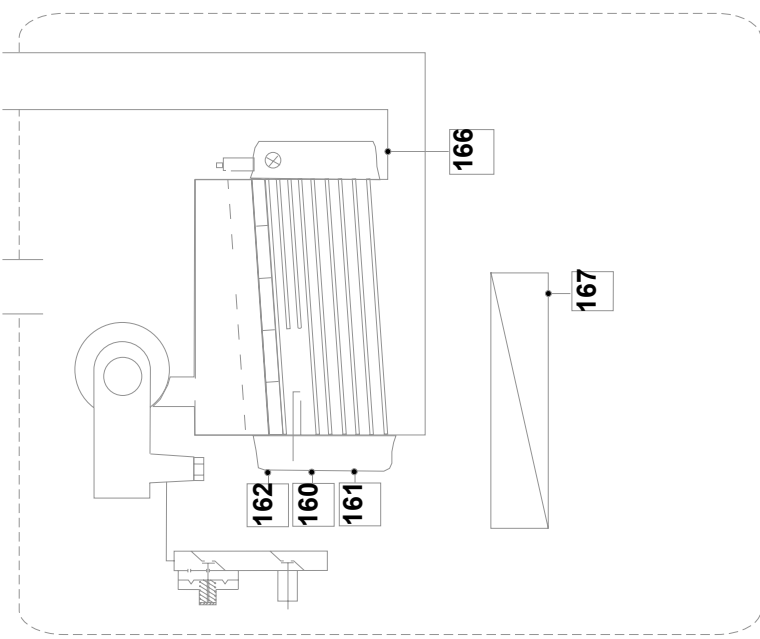


Pos.	Description	Art.nr.	ATAG E-Series		
			E22C	E32C	Solo E22S E32S
91	FITTING GAS/VALVE 3/4"SHR	S4340900	X	X	X
	O-RING ø21,89X2,62 GASLINE	S4334500	X	X	X
92	GASKET FITTING 3/4" GASV.SHR	S4340830	X	X	X
93	GAS PIPE PF/ESHR24	S4321900	X		X
	GAS PIPE PF/ESHR35	S4333800	X		X
94	PIPE FITTING 1/2" O-RING SHR15-35	S4493300	X	X	X
	O-RING ø13,94X2,62 YELLOW SILI SHR	S4328710	X	X	X
95	SECURE SPRING GAS PIPE PF/E-SHR	S4404800	X	X	X
96	PIPE Ø15 SAFETY GROUP PLEXCH. PF/ESHR	S4420200	X	X	
97	PIPE ø15 COLD IN PF/E-SHR	S4401500	X	X	
98	DOSING VALVE 9L TR/60° ESHR35T	S4449100	X		
	DOSING VALVE 10L TR/60° ESHR	S4097000	X		
99	KNEE COMPR.FITTING 15MM		X	X	
100	NUT 1/2" G COMPR. 15MM	S1035700	X	X	
101	COMPR. RING 15MM BRASS	S4237500	X	X	
102	T-PIECE NTC3 PF/ESHR	S4402400	X	X	
	O-RING ø5,00X2,00 FLOW SENSOR 5X SHR	S4329400	X	X	
103	PIPE RET-3WV FILTER PF/ESHR	S4402301	X	X	
	PIPE FILTER-PUMP PF/ESHR	S4451900		X	X
105	FILTER RETURN PIPE SHR	S4317500	X	X	X
106	FILTER CAP PF/ESHRR	S4317610	X	X	X
	O-RING ø25,07 X 2,62 3WV	S4158300	X	X	X
107	NUT M35 ø30	S4259500	X	X	X
108	BY PASS ESHR CPL	S4489800	X	X	X
	O-RING ø5,00X2,00 FLOW SENSOR 5X SHR	S4329400	X	X	X
109	CONDENSATE COLLECTOR PF/ESHR	S4421300	X	X	X
110	DRAIN PIPE SAFETY GROUP PF/E-SHR	S4421500	X	X	
	O-RING Ø12,42X1,78	S4342400	X	X	
111	SYPHON PF/ESHR	S4421200	X	X	X
112	O-RING ø40X3,53 SYPHCONDTR SHR	S4309900	X	X	X
113	O-RING ø18,72X2,62 EPDM 3X	S4443200	X	X	X
115	EXTENSIONPIECE RETURNPIPE	S4399300	X	X	X
	ADAPTER FITTING 3/4" INTX 15 COMPR.	S0071500	X	X	X
	NUT 1 1/8" G COMPR.	S4457400	X	X	X
	COMPRESSION RING 22MM BRASS	S4215900	X	X	X
	SECURITY SPRING	S4404800	X	X	X
116	EXPANSION VESSEL 12L	S1095900	X	X	X
117	PIPE ø15 HOT WATER PF/E-SHR	S4401600	X	X	
118	BOLT M5X12 IMBUS VERZ. 3X	S4440000	X	X	X

Pos.	Description	Art.nr.	ATAG E-Series		
			E22C	E32C	Solo E22S E32S
119	PLATE EXCHANGER 24KW PF/ESHR	S4726400	X		
	PLATE EXCHANGER 35KW PF/ESHR	S4722600		X	
	O-RING ø13,94X2,62 DE-AER.SHR 2x	S4342300	X	X	
	O-RING ø21,89X2,62 EPDM 2X	S4360500	X	X	
120	BRACKET PLATE EXCH. PF/ESHR	S4445000	X	X	
121	PIPE FLOW PF/ESHR15/24	S4451800			X
	PIPE FLOW PF/ESHR35	S4452100			X
	PIPE FLOW PLEXCH-CH PF/ESHR24T	S4401201	X		
	PIPE FLOW PLEXCH-CH PF/ESHR32/35T	S4401301	X		
	BOLT M6X20 SS IMB.BP.4,2 3X	S4307220	3X	3X	3X
	O-RING 4,8X1,8 LOCK.HE SHR 3X	S4322320	3X	3X	3X
122	PUMP GASKET 2X	S1003810	2X	2X	2X
123	PIPE 3WV-PUMP PF/ESHR	S4436700		X	X
	PIPE 3WV-PUMP	S4526500	X		X
124	FITTING SET 3 WAY VALVE	S4161300	X	X	
	- 3X RING 3 WAY VALVE				
	- 3X O-RING 25 X 2,62				
	NUT M35 ø30	S4259500	3X	3X	
	O-RING ø26,70 X 1,78 3X	S4259800	3X	3X	
125	THREE WAY V. HOUSING VC O-RING	S4308200	X	X	
126	CARTRIDGE 3 WAY VALVE	S4268400	X	X	
127	FLANGE 3WV	S4371700	X	X	
128	O-RING ø26,70 X 1,78 3X	S4259800	X	X	
129	PIPE PLEXCH-3WV PF/ESHR	S4401401	X	X	
130	BOLT M5X12 IMBUS VERZ. 3X	S4440000	X	X	X
131	SUPPORT BRACKET	S4439400	X	X	X
132	EXPANSION VESSEL 8L	S4527400	X	X	X
133	CLAMPING STRIP WITH LOCK	S4438200	X	X	X
134	GASKET 15X11X2	S4431600	X	X	X
135	FLEXIBLE HOSE 3/8" BIX10MM CLAMP	S4431500	X	X	X
136	EXTENSION PIECE FLOW PIPE	S4399200	X	X	X
137	EXTENSION PIECE COLD WATER PIPE	S4399100	X	X	X
138	EXTENSION PIECE HOT WATER PIPE	S4399000	X	X	X
139	NUT 1/2 G 15 COMPR.	S1035700	X	X	X
	COMPRESSION RING 15 MM BRASS	S4215900	X	X	X

Parts electrical components E-Series

- 162 T1 flow sensor
- 160 T2 return sensor
- 167 T3 DHW sensor
- 166 T5 flue gas sensor
- 161 P1 water pressure sensor



Pos.	Description	Art.nr.	ATAG E-Series					
			Combi			Solo		
			E22C	E32C	E22S	E32S	E32S	E32S
140	CABLE TREE ESHR	S4467210	X	X	X	X	X	
	STICKER CONNECTION TERMINAL	8G44060x	X	X	X	X	X	
	POWER SUPPLY CABLE 230V E-SHR	S4477300	X	X	X	X	X	
	CONNECTOR 2-POLE PURPLE	S4320300	X	X	X	X	X	
	CONNECTOR 2-POLE WHITE	S4320400	X	X	X	X	X	
	CONNECTOR 2-POLE BLACK	S4320500	X	X	X	X	X	
	CONNECTOR 3-POLE GREY	S4380900	X	X	X	X	X	
	CONNECTOR 4-POLE BROWN	S4320600	X	X	X	X	X	
	CONNECTOR 6-POLE BLUE	S4350600	X	X	X	X	X	
	141 TRAF0 72 VA + SCREWS	S4324900	X	X	X	X	X	
	SCREW 3,5X9,5 VERZ D7983 5X	S4370300	X	X	X	X	X	
	142 CASING CONTR.UNIT BACK PF/ESH	S4417100	X	X	X	X	X	
	143 CONTROL UNIT MCBA 5417 E-SERIE	S4736200	X	X	X	X	X	
	FUSE GLASS 100 MA 250 3X	S4352800	X	X	X	X	X	
	FUSE GLASS 2.0 AF 250 3X	S4353000	X	X	X	X	X	
	FUSE GLASS 3.0 AT 250 3X	S4352900	X	X	X	X	X	
	FUSE 4 AT (250v)3x	S4463500	X	X	X	X	X	
	144 CASING CONTR.UNIT FRONT PF/ESH	S4417000	X	X	X	X	X	
	146 FLOW SWITCH 2,5L PF/ESH	S4498900						
	145 3WAY VALVE ACTUATOR VC2010	S4334910	X	X	X	X	X	
	CABLE TREE ESHR	S4467210	X	X	X	X	X	
	147 PUMP UPS 20-50	S4298200	X	X	X	X	X	
	PUMP UP 20-60	S4298100	X	X	X	X	X	
	160 NTC SHR/DHW/SGC T2/T3/T8/T9	S4309700	X	X	X	X	X	
	161 WATERPRESS SENS +ADAPTERCABLE	S4466300	X	X	X	X	X	
	162 NTC FLOW T1 / E-PF NTC T3	S4307420	X	X	X	X	X	
	163 IGNITION ELECTRODE+GASKET OSS	S4710100	X	X	X	X	X	
	IGNITION CABLE PF/ESH CPL.	S4440900	X	X	X	X	X	
	164 FAN MOTOR 24 DC 15/35	S4442720	X	X	X	X	X	
	165 GAS VALVE PF/E/SHR	S4304700	X	X	X	X	X	
	166 FLUE GAS SENSOR INCL.CABLE SHR	S4368200	X	X	X	X	X	
	NTC FLUE GAS T5 SHR	S4339510	X	X	X	X	X	
	167 NTC FLOW T1 / E-PF NTC T3	S4307420	X	X	X	X	X	

ATAG



Ditributor for UK

ATAG Heating UK Ltd. • Unit 3 • Beaver Trade Park • Quarry Lane Chichester West Sussex PO19 8NY
Phone: 01243 815 770 • Fax 01243 839 596 • E-mail: info@atagheating.co.uk • Internet: www.atagheating.co.uk

Ditributor for Ireland

Total Energy Management Ltd. • Unit 9 • Ballybritt Industrial Estate • Monivea Road Galway Ireland
Phone: 091 769174 • Fax 091 769485 • E-mail: info@tem.ie • Internet: www.tem.ie

E. & O. F.

This renewed publication cancels all previous installation instructions. The company reserves the right to change the specifications and dimensions without prior notice.